

WT-35 Bi-Directional Rewind System



910 BOLGER COURT. FENTON, MO 63026 . USA
(800) 325-9777 (636) 343-0806 FAX: (636) 343-6629
sales@webtechniquesinc.com | webtechniquesinc.com



WT-35 BI-DIRECTIONAL REWIND SYSTEM *ALL OPTIONS IN THE PICTURE ABOVE DO NOT COME STANDARD

SOLVE YOUR LABEL INVENTORY ISSUES WITH A WEB TECHNIQUES REWIND SYSTEM

SAVE MONEY AND TIME BY QUICKLY AND ACCURATELY COUNTING AND REWINDING YOUR LABELS WITH A WEB TECHNIQUES REWIND SYSTEM.

1. BI-DIRECTIONAL REWINDING SYSTEM, PRODUCE HIGH QUALITY ROLLS IN EITHER DIRECTION
2. FAST, EASY TO USE
3. REQUIRES PRACTICALLY NO SET-UP TIME
4. QUICKLY REWINDS LARGE MASTER ROLLS INTO ROLLS OF PREDETERMINED COUNT OR LENGTH

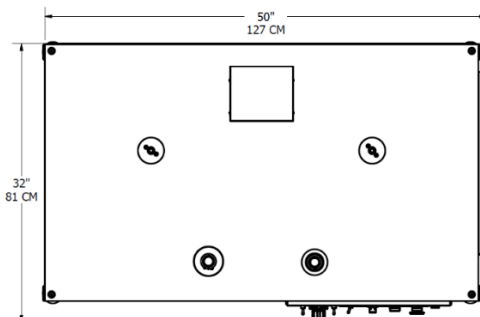
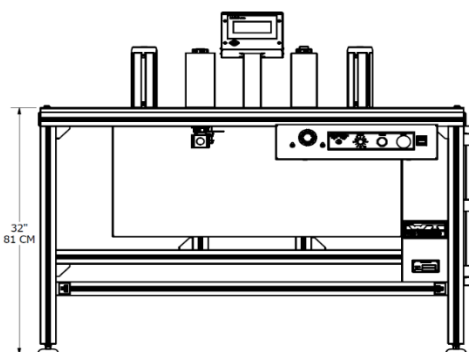
FEATURES:

1. **CHOICE OF COREHOLDER STYLES**
Lift-Off Cam-Lock (Mechanical)
Lift-Off Air Inflatable (Great choice for quickly switching between coreholder sizes)
Flange Mounted Air Inflatable
2. **CHOICE OF COREHOLDER SIZES**
Coreholders range in size from coreless to 0.4" through 6" (25mm through 120mm), Please do not hesitate to contact us with any special requests. Low Tension Coreholder now available!
3. **CHOICE OF COUNTING SYSTEMS**
Our systems are compatible with almost any counting system available, Please do not hesitate to contact us with any special requests
4. (OPTIONAL) **BAR CODE VALIDATION SYSTEM**
5. (OPTIONAL) **DATA LOGGING SYSTEM**
6. (OPTIONAL) **MULTI-LANE COUNTING OPTION**
7. (OPTIONAL) **COMPRESSED AIR MODULE**
Allows WT-35 system to be operated in locations with no compressed air availability
8. (OPTIONAL) **WEB CLEANING SYSTEM**
9. (OPTIONAL) **QUADRATURE COUNT OPTION**
*100% Guaranteed Count
10. (OPTIONAL) **RAZOR BLADE SLITTING ATTACHMENT**
Requires air coreholder on the rewind for multiple cores
11. (OPTIONAL) **LED STROBE SYSTEM**
Creates a "stand still" effect, allowing visual inspection at high speeds. Energy Efficient!
12. (OPTIONAL) **ERGO-LIFT HEIGHT ADJUSTMENT SYSTEM**
13. (OPTIONAL) **STATIC ELIMINATION SYSTEM**

14. (OPTIONAL) **MULTI-LANE COUNTING**
15. **BI-DIRECTIONAL SYSTEM**
Automatically positions issues for easy identification and repair
Allows rolls to be run and counted in either direction and allows rolls to be returned to original copy position in half the time
16. **INFINITELY VARIABLE MOTOR SPEED CONTROL**
System will automatically "over speed" the motor, rewinding smaller diameter cores twice as fast as the WT-25 rewind system family
17. **PNEUMATIC FRICTION BRAKE FOR MORE ACCURATE AND REPEATABLE TENSION CONTROL**
18. **ALUMINUM EXTRUDED CONSTRUCTION**
Easily add options in the field utilizing the extruded aluminum frame

WT-35 System Specifications:

Web Width (MAX): 13"
Unwind Roll (MAX): 24"
Rewind Roll (MAX): 24"
Roll Weight (MAX): 250+ lbs.
Rewind Speed (MAX): 1,200 ft/min
Tension Brake: Pneumatic Brake
AC Motor: 1HP
Rewind Torque (MAX): 250+ in lbs.
Decel & Stop: Standard/Included
Winding: CW & CCW (Bi-Directional)
Rewind Stop Type: Pneumatic Brake
Count Methods: Length & Label
Electrical: 120VAC Standard/ 220VAC Optional



910 BOLGER COURT. FENTON, MO 63026 . USA
(800) 325-9777 (636) 343-0806 FAX: (636) 343-6629